

## GSDY-TRSB Ultra Heavy Duty Levelling Glide

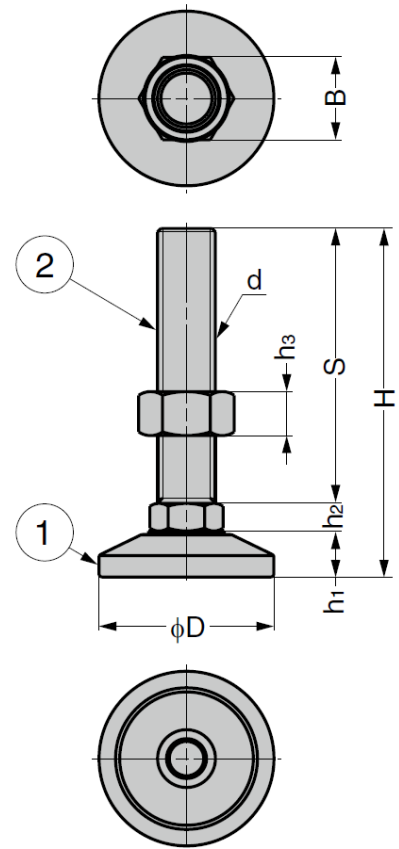
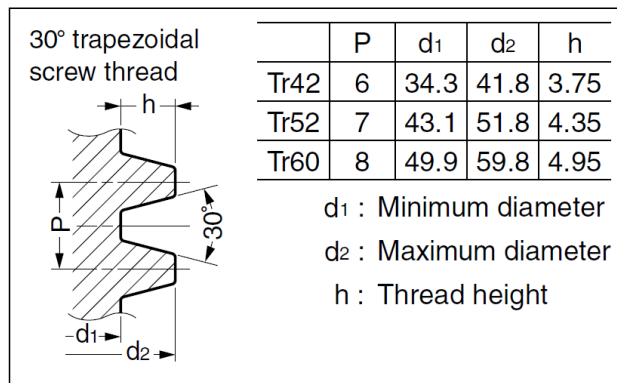
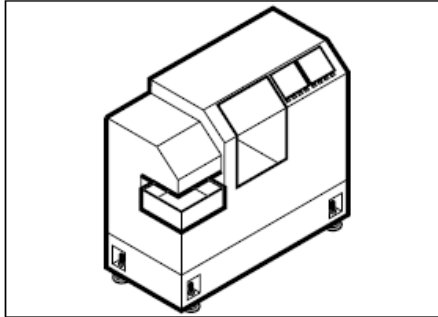
### Features

- Levelling glide subject to galling preventive treatment
- Threaded bolt with trapezoidal screw thread Tr42 ~ Tr60 available
- With bearing to provide easy and smooth level adjustment
- Steel models also available on made-to-order basis (MOQ 10 pcs)

### Sold Separately

- Installation plate **GSDY-L**

### Application Example



No.	Part Name	Material	Finish
①	Body	Stainless Steel (SUS304)	Polished
②	Threaded Bolt		

Part No.	d	D	H	h <sub>1</sub>	h <sub>2</sub>	h <sub>3</sub>	S	B	Load Capacity (per piece)	
<b>GSDY-TRSB-42-200</b>	Tr42	127	253.5	33.5	20	32	200	60	63,700 N	6,500 kg
<b>GSDY-TRSB-42-300</b>			353.5				300			
<b>GSDY-TRSB-52-200</b>	Tr52	137	260.5	38.5	22	42	200	80	88,200 N	9,000 kg
<b>GSDY-TRSB-52-300</b>			360.5				300			
<b>GSDY-TRSB-60-200</b>	Tr60	147	266.5	42.5	24	48	200	90	107,800 N	11,000 kg
<b>GSDY-TRSB-60-300</b>			366.5				300			

## GSDY-L Installation Plate

### Features

- For GSDY-TRSB, GSDY-TRAS, GSDY-MS (for M42)
- Metric screw thread and trapezoidal screw thread available
- Steel models (nickel plating) also available on request (made-to-order, MOQ 10 pcs)

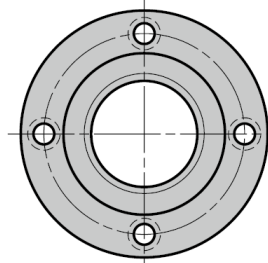
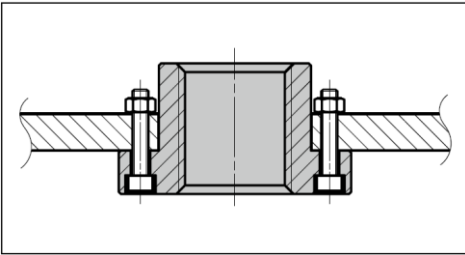
### Material

- Brass, nickel finish

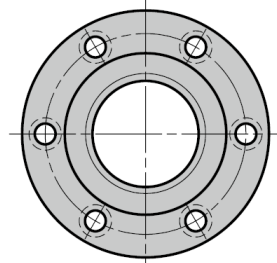
### Recommended Screws

- Hexagon socket head cap screw M8

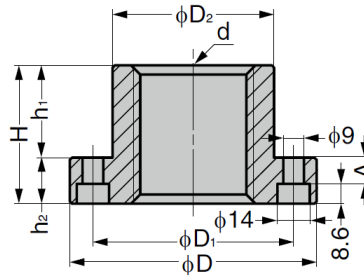
### Installation



**GSDY-LMB-42**  
**GSDY-LTB-42**



**GSDY-LMB-52**  
**GSDY-LMB-60**  
**GSDY-LTB-52**  
**GSDY-LTB-60**



Part No.	d	D	D <sub>1</sub>	D <sub>2</sub>	H	h <sub>1</sub>	h <sub>2</sub>	A
<b>GSDY-LMB-42</b>	Metric Screw Thread (M42)	97	77	60	40	22	18	9.4
<b>GSDY-LMB-52</b>	Metric Screw Thread (M52)	107	87	70	50	30	20	11.4
<b>GSDY-LMB-60</b>	Metric Screw Thread (M60)	117	97	80	60	40		
<b>GSDY-LTB-42</b>	Trapezoidal Screw Thread (Tr42×6)	97	77	60	50	32	18	9.4
<b>GSDY-LTB-52</b>	Trapezoidal Screw Thread (Tr52×7)	107	87	70	60	40	20	11.4
<b>GSDY-LTB-60</b>	Trapezoidal Screw Thread (Tr60×8)	117	97	80	70	50		